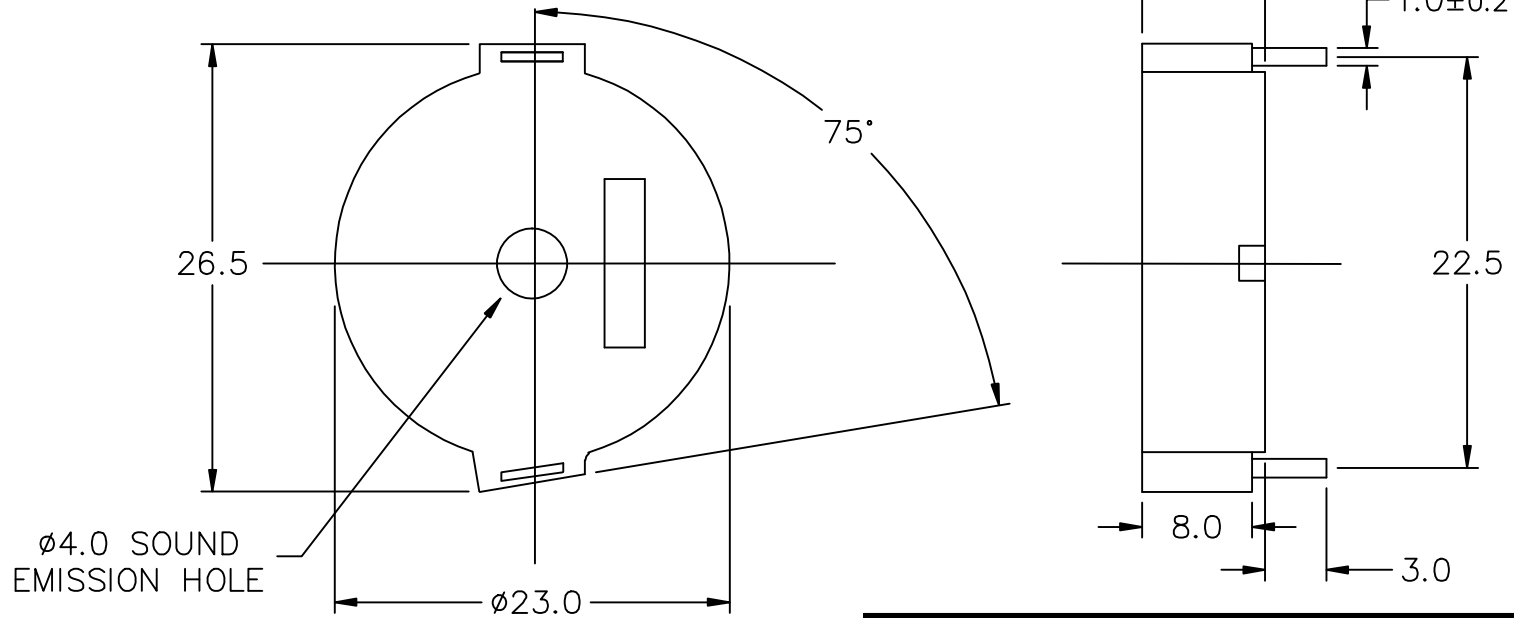


THIS DOCUMENT CONTAINS DATA PROPRIETARY TO PROJECTS UNLIMITED, INC. ANY USE OR REPRODUCTION, IN ANY FORM, WITHOUT PRIOR WRITTEN PERMISSION OF PROJECTS UNLIMITED, INC. IS PROHIBITED.
 ©2003, Projects Unlimited Inc.

SPECIFICATIONS

PARAMETERS	VALUES	UNITS
RATED VOLTAGE (SQUARE WAVE)	10	V _{p-p}
OPERATING VOLTAGE RANGE	1 ~ 30	V _{p-p}
RATED CURRENT (MAX)	3.5	mA
CAPACITANCE	20,000±30%	pF
MINIMUM SPL @ 10 CM	88	dB(A)
RESONANT FREQUENCY	2,048±500	Hz
OPERATING TEMPERATURE	-20 ~ +60	°C
STORAGE TEMPERATURE	-30 ~ +70	°C
HOUSING MATERIAL	ABS	-
TERMINAL MATERIAL	Cu PLATED PHOSPHOR BRONZE	-
WEIGHT	2	grams

REVISIONS			
LTR	DESCRIPTION	DATE	APPROVED
-	RELEASED FROM ENGINEERING	01/03/06	
A	REVISED TERMINAL LENGTH	2/13/06	R.W.



NOTES:

1. ALL DIMENSIONS ARE IN MILLIMETERS.
2. SPECIFICATION SUBJECT TO CHANGE OR WITHDRAWAL WITHOUT NOTICE.
3. THIS PART IS RoHS 2002/95/EC COMPLIANT.

FILE NAME
AT-2720-TT-R

UNLESS OTHERWISE SPECIFIED:
DIMENSIONS ARE IN MILLIMETERS, TOLERANCES ARE ± 0.5 AND ANGLES ARE $\pm 5^\circ$.

APPROVALS	DATE
DRAWN <i>J.A.F.</i>	12/05
APPROVED <i>B.R.</i>	1/06
<i>E.P.</i>	1/06

DO NOT SCALE DRAWING



projects®
unlimited

Dayton, Ohio

TRANSDUCER(PIEZO)

SIZE
A

DRAWING NO.
AT-2720-TT-R

SCALE: N.T.S.

SHEET 1 OF 1